

aslotel equipment

specification sheets

contents

regulatory issues

bathroom accessories

bedroom accessories

bins

coat hangers

hairdryers

irons & ironing centres

kettles and hospitality trays

luggage stands

mirrors

regulatory issues: electrical & electronic products

All electrical and electronic products supplied by aslotel are **CE** marked by the manufacturer to signify conformity with the relevant EU directives. Aslotel obtain declarations of conformity and, where relevant, test certificates to verify the validity of the **CE** mark on specific products.

Low Voltage Directive (LVD) 73/23/EEC

Products tested to EN 60 335 (part 1 – general requirements and part 2 – particular requirements) and other relevant standards.

Electromagnetic Compatibility Directive (EMC) 89/336/EEC

Products tested to relevant parts of EN 55014 and EN 61000.

Restriction of Use of Certain Hazardous Substances Directive (RoHS) 2002/95/EC

Ensures the safety of products during recycling by limiting the use of four specific metals (lead, mercury, cadmium and hexavalent chromium) and two flame retardants (polybrominated biphenyls PBB and polybrominated diphenylethers PBDE) in the components of the product.

Waste Electrical and Electronic Equipment Directive (WEEE) 2002/96/EC

All products are marked with the crossed-out wheellie bin logo to indicate that they must be properly recycled and not discarded as normal household or trade waste.

To ensure compliance with the Waste Electrical and Electronic Equipment Directive (WEEE)

aslotel are members of a compliance scheme registered with SEPA. The company ensures that products for which it is responsible are properly recycled in accordance with the UK regulations.

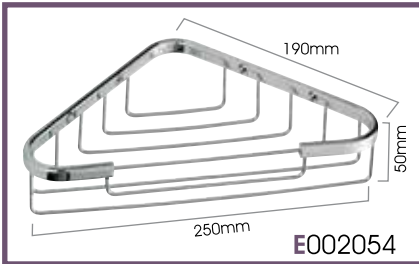
WEEE registration no: WEE/EJ 0060TU

This company complies with The Producer Responsibility Obligations (Packaging Waste) Regulations 1997

and is a member of a registered compliance scheme.

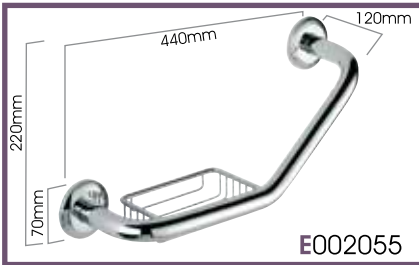
The company has an environmental policy aimed at reducing its impact on the environment through better use of raw materials, packaging and energy.

aslotel chrome bathroom fittings



E002054 – corner soap basket

E002055 – angled grab bar with soap basket



E002056 – glass shelf with chrome brackets 130mm

E002057 – towel rail

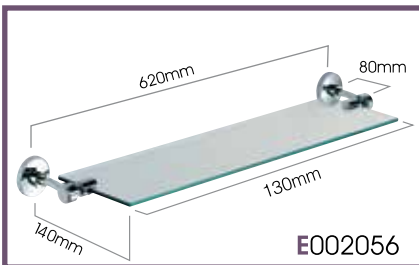
technical information

dimensions (mm):

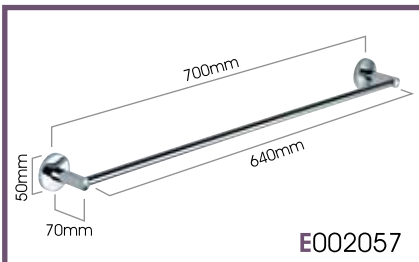
as shown

construction: brass with chrome plating

warranty: one year from date of purchase on faulty parts



Care & Maintenance: Clean with a dry, non-abrasive cloth. **DO NOT** use abrasives or solvents.



aslotel
own brand product

aslotel chrome bathroom fittings

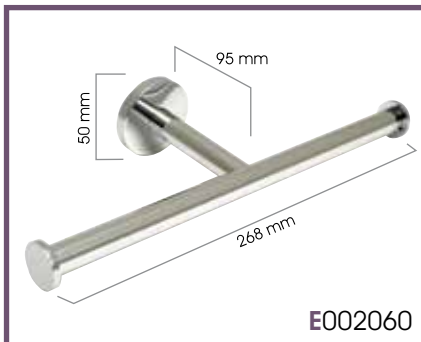


E002059

E002059 – single robe hook

E002060 – double toilet roll holder

E002062 – rectangular soap basket



E002060

technical information

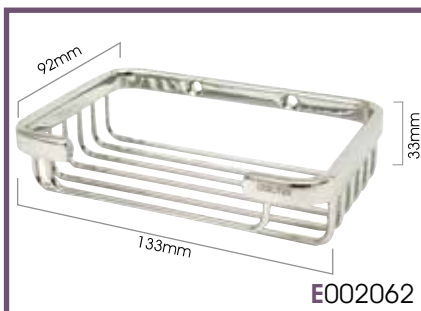
dimensions (mm):

as shown

construction: brass with chrome plating

warranty: one year from date of purchase on faulty parts

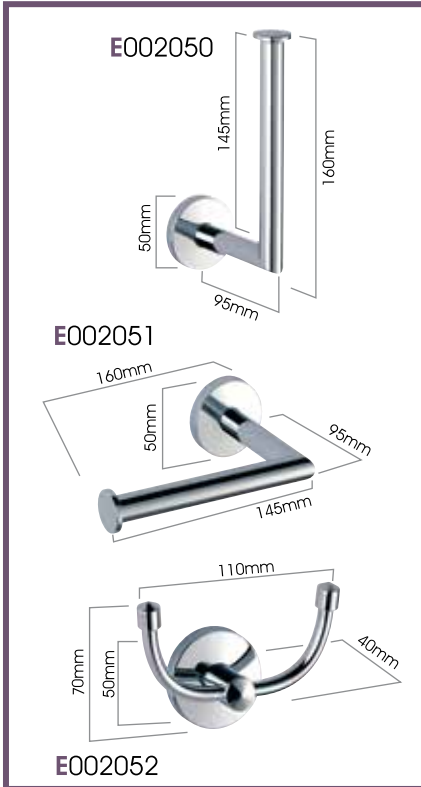
Care & Maintenance: Clean with a dry, non-abrasive cloth. **DO NOT** use abrasives or solvents.



E002062

aslotel
own brand product

aslotel chrome bathroom fittings



E002050 – spare toilet roll holder

E002051 – toilet roll holder

E002052 – double robe hook

E002053 – towel rack with under rail

technical information

dimensions (mm):

as shown

construction: brass with chrome plating

warranty: one year from date of purchase on faulty parts

Care & Maintenance: Clean with a dry, non-abrasive cloth. **DO NOT** use abrasives or solvents.

e-cloth professional For a sparkling finish aslotel recommends their 'e-cloth professional' to remove bacteria, dirt and grease. See our e-cloth section.



aslotel own brand product

aslotel toilet brushes



colour
chrome

product code

E000354 – chrome

E000357 – chrome with black plastic base

E000358 – chrome wall mounted

E001561 – chrome/satin finish

technical information

dimensions (mm):

E000354 405(h) x 98(dia)

E000357 380(h) x 95(dia)

E000358 390(h) x 100(w)

Depth from wall 115mm

E001561 415(h) x 89(dia)

construction: stainless steel body with plastic brush & liner

warranty: one year from date of purchase on faulty parts

features

- stainless steel toilet brush & holder
- removable plastic inner liner for easy cleaning
- holder completely covers the brush
- plastic brush

Care & Maintenance: Clean with a dry, non-abrasive cloth. **DO NOT** use abrasives or solvents.

aslotel
own brand product

aslotel shower curtains



features

- 100% polyester shower curtains
- treated with a mould inhibiting water repellent
- non-woven textile header band for added strength with 12 eyelets
- easy care fabric specially produced for the bathroom
- fully weighted hem, double stitched at each end to keep weights in place
- fits any shower rail
- other sizes available

colour

white

product code

E006056 – regal stripe

E006079 – plain polyester

E006076 – aslotel c ring shower curtain rings pack of 12

E006082 – chrome roller ball shower curtain rings, pack of 12

technical information

dimensions (mm): 1800 x 1800

material: polyester

warranty: one year from date of purchase on faulty parts

Care & Maintenance: Shower curtains are machine washable at 40°C. Clean rings with a dry, non-abrasive cloth. **DO NOT** use abrasives or solvents.

aslotel rubber bath & shower mats



features

- anti-slip with safety sucker pads
- textured surface with anti-mildew treatment
- rinse in plain water only
- hang to dry naturally
- two sizes available

colour

white

product code

E006048 – bath mat

E006044 – shower mat

technical information

dimensions (mm):

bath mat: 760 x 345

shower mat: 550 x 550

construction: rubber

warranty: one year from date of purchase on faulty parts

Care & Maintenance: **DO NOT** use abrasives or solvents. Surface must be clean & dry when installing the mat (**use on non-textured flat surface only**).

aslotel retractable clothes line



colour
chrome

product code
E008008

technical information

dimensions (mm):

holder: 90(dia)

length of line: 2.45 metres

construction: stainless steel

warranty: one year from date of purchase on faulty parts

features

- retractable clothes line wall-mounted for use over bath
- strong & durable nylon cord retracts out of sight when not in use
- cord locking nut
- adjustable to any length up to a maximum of 2.45m

Care & Maintenance: Clean with a dry, non-abrasive cloth. **DO NOT** use abrasives or solvents.

aslotel cube tissue box cover



features

- smart and stylish design
- durable metallic effect
- fits all standard sizes of cube box tissues
- easy to clean
- refill tissues available (code G000567)

colour

white
chrome
brushed chrome
gold

product code

E001528 – white
E001526 – chrome
E001527 – brushed chrome
E001529 – gold

technical information

dimensions (mm):

135(w) x 130(h) x 135(d)

construction: ABS – chrome, gold plated or brushed steel finish

warranty: one year from date of purchase

Care & Maintenance: Clean with a dry, non-abrasive cloth. **DO NOT** use abrasives or solvents.

aslotel high gloss cube tissue box cover



colour

high gloss black
matt silver
high gloss white
matt black

product code

E001510 – high gloss black
E001509 – matt silver
E001508 – high gloss white
E001507 – matt black

technical information

dimensions (mm):

130(w) x 147(h) x 130(d)

construction: mdf & lacquer

warranty: one year from date of purchase

features

- smart and stylish design
- fits all standard sizes of cube box tissues
- easy to clean
- sliding removable base
- other colours available on special order
- high gloss finish
- refill tissues available (code G000567)

Care & Maintenance: Clean with a dry, non-abrasive cloth. **DO NOT** use abrasives or solvents.

aslotel
own brand product

aslotel rectangular tissue box cover



colour

chrome
high gloss black

product code

E001524 – chrome

E001511 – black



technical information

dimensions (mm):

E001524 270(w) x 50(h) x 140(d)

E001511 240(w) x 80(h) x 130(d)

construction:

E001524 stainless steel

E001511 mdf & lacquer

warranty: one year from date of purchase

features

- fits all standard size flat box tissues
- E001524 can be wall mounted
- E001524 lockable access door
- E001511 sliding removable base
- easy to clean

Care & Maintenance: Clean with a dry, non-abrasive cloth. **DO NOT** use abrasives or solvents.

aslotel ice buckets & tongs



colour

brushed chrome silver

product code

E000101 – 2 litre version

technical information

dimensions (mm):

E000101 170(h) x 155(dia)

construction: stainless steel,
brushed finish

volume: 2 litre

features

- stainless steel, brushed finish
- lid with seal
- metal tongs
- hinged handle
- 2 litre volume

Care & Maintenance: Clean with a dry, non-abrasive cloth. **DO NOT** use abrasives or solvents.

aslotel chrome waste bin



E117024



E117025



E117027

features

- metal waste bins with stylish chrome finish

colour

chrome

product code

E117024 – brushed chrome

E117025 – polished chrome

E117027 – brushed chrome

technical information

dimensions (mm):

E117024 240(h) x 193(dia)

E117025 235(h) x 225(dia)

E117027 290(h) x 235(dia)

capacity: **E117024** – 6 litres

E117025 – 7 litres

E117027 – 12.5 litres

construction: stainless steel

warranty: one year from date of purchase on faulty parts



Care & Maintenance: Clean with a dry, non-abrasive cloth. **DO NOT** use abrasives or solvents.

aslotel 20 litre waste-paper basket



features

- powder coated
- hard wearing and easy to clean

colour

grey

product code

E117028

technical information

dimensions (mm):

355(h) x 300(dia)

capacity:

20 litres

construction: stainless steel

Warranty: one year from date of purchase on faulty parts

Care & Maintenance: Clean with a dry, non-abrasive cloth. **DO NOT** use abrasives or solvents.

aslotel leather effect tidy waste bins



colour

black with polished chrome trim
beige with black trim

product code

E007745 – black

E007746 – beige

technical information

dimensions (mm):

270(h) x 230(dia)

capacity:

9 litres

construction: fire retardant vinyl/
steel

warranty: one year from date of
purchase on faulty parts



features

- fire retardant leather effect waste bins
- outer bin slides over inner bin to completely conceal edge of plastic bin liner

aslotel
own brand product

aslotel pedal bins



features

- 3 and 5 litre metal pedal bins
- removable plastic inner bucket – for easy cleaning
- sturdy design

colour

white
chrome

product code

E002038 – 3 litre white

E002039 – 3 litre chrome

E000552 – 3 litre chrome dome top

E002040 – 5 litre chrome

technical information

dimensions (mm):

3 litre: 260(h) x 170(dia) - flat top

3 litre: 270(h) x 170(dia) - dome top

5 litre: 340(h) x 210(dia)

capacity: 3 litres/5litres

construction: stainless steel

warranty: one year from date of purchase on faulty parts

Care & Maintenance: Clean with a dry, non-abrasive cloth. **DO NOT** use abrasives or solvents.

aslotel wooden trouser bar coat-hanger with standard hook



features

- polished wooden coat-hanger with trouser bar (with serrated rubber insert) and skirt notches
- available with standard hook or anti-theft security stem
- available in five colours

colour

natural, wenge, mahogany, black or dark wood

product code

standard hook hangers – chrome

E009502 – natural

E009732 – wenge

E009503 – mahogany

E009544 – dark wood

E009537 – black

other finishes may be available on request (minimum order quantities apply)

supplied in multiples of 100

technical information

dimensions (mm):

wooden coat-hanger:

445(w) x 155(h) x 20(d)

hook adds 70mm to height

construction: lotus wood

warranty: one year from date of purchase

Care & Maintenance: Clean with a dry, non-abrasive cloth. **DO NOT** use abrasives or solvents.

aslotel wooden skirt clip coat-hanger with standard hook



features

- polished wooden coat-hanger with skirt notches and metal skirt clips
- available with standard hook or anti-theft security stem
- available in five colours

Care & Maintenance: Clean with a dry, non-abrasive cloth. **DO NOT** use abrasives or solvents.

colour

natural, mahogany, dark wood, black or wenge

product code

security stem hangers – chrome

E009506 – natural

E009507 – mahogany

E009543 – dark wood

E009536 – black

E009733 – wenge

other finishes may be available on request (minimum order quantities apply)

supplied in multiples of 100

technical information

dimensions (mm):

wooden coat-hanger:

445(w) x 155(h) x 20(d)

hook adds 70mm to height

construction: lotus wood

warranty: one year from date of purchase

aslotel wooden trouser bar coat-hanger with security ring



features

- polished wooden coat-hanger with trouser bar (with serrated rubber insert) and skirt notches
- available with standard hook or anti-theft security stem
- available in four colours

Care & Maintenance: Clean with a dry, non-abrasive cloth. **DO NOT** use abrasives or solvents.

colour

natural, wenge, mahogany or black

product code

security stem hangers – chrome

E009700 – natural

E009730 – wenge

E009701 – mahogany

E009706 – black

E009710 – metal security ring, chrome (to be purchased separately)

E008047 – black plastic snap-on security ring (to be purchased separately)

other finishes may be available on request (minimum order quantities apply)

supplied in multiples of 100

technical information

dimensions (mm):

wooden coat-hanger:

445(w) x 155(h) x 20(d)

hook adds 70mm to height

metal security ring dia: 38mm

plastic security ring dia: 39mm

construction: lotus wood

warranty: one year from date of purchase

aslotel wooden skirt clip coat-hanger with security ring



features

- polished wooden coat-hanger with skirt notches and metal skirt clips
- available with standard hook or anti-theft security stem
- available in four colours

Care & Maintenance: Clean with a dry, non-abrasive cloth. **DO NOT** use abrasives or solvents.

colour

natural, mahogany, black or wenge

product code

security stem hangers – chrome

E009704 – natural

E009705 – mahogany

E009707 – black

E009731 – wenge

E009710 – metal security ring, chrome (to be purchased separately)

E008047 – black plastic snap-on security ring (to be purchased separately)

other finishes may be available on request (minimum order quantities apply)

supplied in multiples of 100

technical information

dimensions (mm):

wooden coat-hanger:

445(w) x 200(h) x 20(d)

hook adds 70mm to height

metal security ring dia: 38mm

plastic security ring dia: 39mm

construction: lotus wood

warranty: one year from date of purchase

aslotel deluxe trouser bar coat-hangers



features

- polished wooden coat-hangers with trouser bar (with serrated rubber insert)
- broad shoulder support designed to hold suit jackets
- available in four colours

Care & Maintenance: Clean with a dry, non-abrasive cloth. **DO NOT** use abrasives or solvents.

colour

natural, mahogany, dark wood or wenge

product code

standard hook hangers – chrome

E009540 – natural

E009541 – mahogany

E009542 – dark wood

E009734 – wenge

other finishes may be available on request (minimum order quantities apply) supplied in multiples of 25

technical information

dimensions (mm):

wooden coat-hanger:

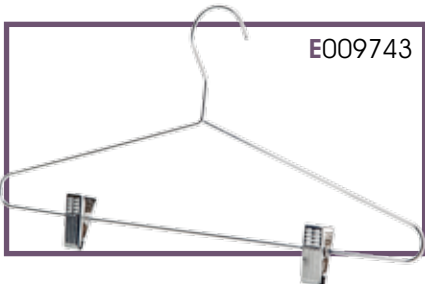
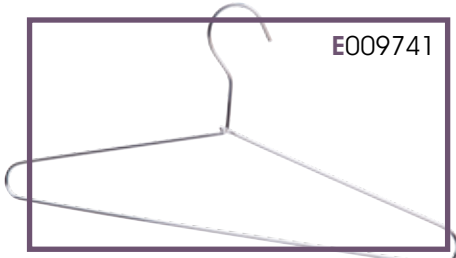
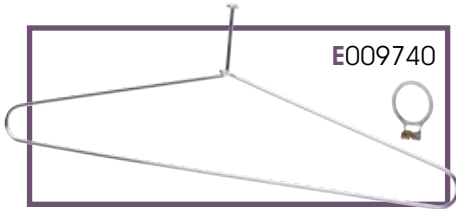
465(w) x 170(h) x 60(d)

hook adds 70mm to height

construction: lotus wood

warranty: one year from date of purchase

aslotel steel coat hangers



colour
chrome

product code

- E009740** – stem
- E009742** – stem skirt clip
- E009741** – standard hook
- E009743** – hook skirt clip
- E009710** – metal security ring
(to be purchased separately)

technical information

dimensions (mm):

steel coat-hanger:

410 (w) x 185 (h) x 3.5 (d)
hook adds 80mm to height

construction: steel

warranty: one year from date of purchase

features

- strong & sturdy hook coat hanger
- 3.4 mm thick metal
- available with standard hook and anti-theft security stem

Care & Maintenance: Clean with a dry, non-abrasive cloth. **DO NOT** use abrasives or solvents.

aslotel
own brand product

aslotel satin padded coat-hangers



features

- padded satin coat-hanger
- available with standard hook or anti-theft security stem & clip
- other colours available on request

Care & Maintenance: Clean with a dry, non-abrasive cloth. **DO NOT** use abrasives or solvents.

colour

white, black

product code

E008019 – standard hook white satin padded hanger

E008020 – standard hook black satin padded hanger

E008069 – security stem white satin padded hanger

E009710 – metal security ring, chrome (to be purchased separately)

E008047 – black plastic snap-on security ring (to be purchased separately)

Supplied in multiples of 100

technical information

dimensions (mm):

390(w) x 55(h) x 40(d)

hook adds 70mm to height

metal security ring dia: 38mm

plastic security ring dia: 39mm

construction: cedar wood, terylene, sponge

warranty: one year from date of purchase

aslotel
own brand product

sunbeam 1800w ionic bedroom hairdryer



features

- 1800w hairdryer with fixed rotatable styling nozzle
- 2 speed settings
- 3 heat settings
- cold shot
- ionic technology – dries hair faster, leaving hair healthy, shiny and more manageable
- flexi cable with fitted plug
- quiet motor
- rubberised handle for comfort
- optional wall mounted black holder (E002320) available

colour

silver/black

product code

E001639

E001640 – euro version

technical information

dimensions (mm):

277(w) x 272(l) x 93(d)

flexi cable (approx):

fully extended: 3.00 metres

relaxed: 0.60 metres

voltage: 220v/240v

frequency: 50/60hz

power output: 1800w

construction: ABS plastic

approvals: VDE

warranty: one year from date of purchase. Warranty is void if product is not installed or used in accordance with the manufacturer's instructions. Products are not suitable for use in public areas such as changing rooms for sports centres, swimming pools, etc

Care & Maintenance: Clean with a dry, non-abrasive cloth. **DO NOT** use abrasives or solvents. Dust & dirt should be periodically removed from the air inlet grill using a non-metallic brush.

It is strongly recommended that electrical products are installed by a qualified electrician in accordance with current IEE wiring regulations.

Sunbeam
HOSPITALITY

aslotel professional 1800w bedroom hairdryer



features

- 1800w hairdryer with styling nozzle
- 2 speed settings
- 3 heat settings
- cold shot
- flexi cable with fitted plug
- wall hanging loop
- optional wall mounted black holder available (E002320)

It is strongly recommended that electrical products are installed by a qualified electrician in accordance with current IEE wiring regulations.

colour

chrome/black

product code

E021003

E021004 – euro version

technical information

dimensions (mm):

255(w) x 260(l) x 90(d)

flexi-cable (approx):

fully extended: 2.50 metres

relaxed: 0.75 metres

voltage: 220v/240v

frequency: 50/60hz

power output: 1800w

construction: ABS

approval: DEMKO

warranty: one year from date of purchase. Warranty is void if product is not installed or used in accordance with the manufacturer's instructions. Products are not suitable for use in public areas such as changing rooms for sports centres, swimming pools, etc

Care & Maintenance: Clean with a dry, non-abrasive cloth. **DO NOT** use abrasives or solvents. Dust & dirt should be periodically removed from the air inlet grill using a non-metallic brush

aslotel
own brand product

aslotel

relationship • experience • choice

aslotel 1800w matt black hairdryer



features

- detachable concentrator nozzle
- hanging loop
- cool shot (can be used on any setting)
- removable air inlet filter for easy clean
- flexi cable with fitted plug
- 2 speed settings
- 3 heat settings
- optional wall mounted black holder (E002320) available

It is strongly recommended that electrical products are installed by a qualified electrician in accordance with current IEE wiring regulations.

colour

matt black

product code

E005044

E005043 – euro version

technical information

dimensions (mm):

245(w) x 278(l) x 86(d)

flexi-cable (approx):

fully extended: 3.00 metres

relaxed: 0.85 metres

voltage: 220v/240v

Frequency: 50/60hz

power output: 1800w

construction: ABS

approval: LCIE Bureau Veritas

warranty: one year from date of purchase. Warranty is void if product is not installed or used in accordance with the manufacturer's instructions. Products are not suitable for use in public areas such as changing rooms for sports centres, swimming pools, etc.

Care & Maintenance: Clean with a dry, non-abrasive cloth. **DO NOT** use abrasives or solvents. Dust & dirt should be periodically removed from the air inlet grill using a non-metallic brush.

aslotel
own brand product

aslotel

relationship • experience • choice

aslotel 1600w bedroom hairdryer



features

- 1600w hairdryer with removeable styling nozzle
- 2 speed/heat settings
- cold shot
- flexi cable with fitted plug
- wall hanging loop

Care & Maintenance: Clean with a dry, non-abrasive cloth. **DO NOT** use abrasives or solvents. Dust & dirt should be periodically removed from the air inlet grill using a non-metallic brush.

colour
silver

product code
E005403

technical information

dimensions (mm):
190(w) x 245(l) x 110(d)

flexi-cable (approx):
fully extended: 1.80 metres
relaxed: 0.60 metres

voltage: 220v/240v

frequency: 50/60hz

power output: 1600w

construction: ABS

approval: VDE

warranty: one year from date of purchase. Warranty is void if product is not installed or used in accordance with the manufacturer's instructions. Products are not suitable for use in public areas such as changing rooms for sports centres, swimming pools, etc

It is strongly recommended that electrical products are installed by a qualified electrician in accordance with current IEE wiring regulations.

aslotel
own brand product

aslotel stationair hairdryer



features

- 1600w hairdryer with styling nozzle
- 2 speed/heat settings
- cold shot
- wall-mounted holder
- safety auto shut-off micro switch in holder
- available with matching hair straighteners

It is strongly recommended that electrical products are installed by a qualified electrician in accordance with current IEE wiring regulations.

colour
white

product code

E005400

E005402 – euro version

technical information

dimensions (mm):

78(w) x 190(l) x 280(d) in bracket

flexi cable (approx):

fully extended: 2.65 metres

relaxed: 0.68 metres

power cable:

length: 1.80 metres

voltage: 220v/240v

frequency: 50/60hz

power output: 1600w

construction: ABS

approvals: VDE

warranty: one year from date of purchase. Warranty is void if product is not installed or used in accordance with the manufacturer's instructions. Products are not suitable for use in public areas such as changing rooms for sports centres, swimming pools, etc

Care & Maintenance: Clean with a dry, non-abrasive cloth. **DO NOT** use abrasives or solvents. Dust & dirt should be periodically removed from the air inlet grill using a non-metallic brush.

aslotel
own brand product

aslotel hairdryer wall bracket

E002320



features

- wall-mounted hairdryer bracket
- fits aslotel 1800w matt black, aslotel professional and sunbeam 1800w ionic hairdryers
- available in black finish
- sturdy wall fittings

Care & Maintenance: Clean with a dry, non-abrasive cloth. **DO NOT** use abrasives or solvents.

colour

black

product code

E002320 – black

technical information

dimensions (mm):

black 178(w) x 50(l) x 196(d)

construction: brass with pvc rubber cover

warranty: one year from date of purchase on faulty parts

E002320 + E021003



aslotel
own brand product

aslotel hairdryer bag



colour

black

product code

E003040

technical information

dimensions (mm): 350 x 350

weight: 350g

material: 100% cotton

features

- black 350g cotton bag
- logo – “HAIRDRYER” in light grey embroidery
- black pp drawstring
- fits all aslotel bedroom hairdryers
- machine washable

aslotel smart ironing tidy



colour

black

product code

E008555

technical information

dimensions (mm):

175(w) x 370(l) x 5(d)

construction: ABS plastic

warranty: one year from date of purchase on faulty parts

Care & Maintenance: Clean with a dry, non-abrasive cloth. **DO NOT** use abrasives or solvents.

features

- universal fitting – fits most standard irons and ironing boards
- integrated hook for hanging on wardrobe rail
- iron cable anti-theft bracket
- iron cable can be easily looped for tidy storage, avoiding twisting. This will preserve the life of the cable

aslotel
own brand product

aslotel smart black steam master ironing centre



features

- free standing ironing board with black cover
- sunbeam steam master iron 15 minute auto shut-off when left in the upright position
- 30 second motion sensor shut-off when left in the horizontal position
- greensense™ iron designed to deliver water savings of up to 45% vs. a standard iron
- steam/dry iron
- safe storage temperature indicator
- integrated hook for hanging on wardrobe rail
- iron cable anti-theft bracket
- replacement black cover available
- iron cable can be easily looped for tidy storage, avoiding twisting. This will preserve the life of the cable

colour

silver grey legs with black scorch-resistant cover, black iron

product code

E008520 – aslotel freestanding ironing board and smart iron tidy

E008537 – sunbeam black steam master pro iron

E008536 – euro version

technical information

dimensions (mm):

390(w) x 1300(l) x 220(d) closed
opens to height of: 820mm

power cable: 3.50 metres

voltage: 220v/240v

frequency: 50/60hz

power output: 1200w

constuction:

iron – polypropylene body with rust resistant aluminium alloy soleplate
board – steel with powder coating.
iron connector – ABS plastic

approvals: TUV/GS, UL

warranty: two years from date of purchase on faulty parts

Iron and board are available to purchase separately.

Care & Maintenance: Clean with a dry, non-abrasive cloth. **DO NOT** use abrasives or solvents.

aslotel *Sunbeam*
own brand product *HOSPITALITY*

aslotel smart steam master ironing centre



features

- free standing ironing board with black cover
- sunbeam steam master iron 15 minute auto shut-off when left in the upright position
- 30 second motion sensor shut-off when left in the horizontal position
- greensense™ iron designed to deliver water savings of up to 45% vs. a standard iron
- steam/dry iron
- safe storage temperature indicator
- integrated hook for hanging on wardrobe rail
- iron cable anti-theft bracket
- replacement silver or black covers available
- iron cable can be easily looped for tidy storage, avoiding twisting. This will preserve the life of the cable

colour

silver grey legs with black scorch-resistant cover, white iron

product code

E008520 – aslotel freestanding ironing board and smart iron tidy

E008539 – sunbeam white steam master pro iron

E008541 – euro version

technical information

dimensions (mm):

390(w) x 1300(l) x 220(d) closed
opens to height of: 820mm

power cable: 3.50 metres

voltage: 220v/240v

frequency: 50/60hz

power output: 1200w

construction:

iron – polypropylene body with rust

resistant aluminium alloy soleplate

board – steel with powder coating.

iron connector – ABS plastic

approvals: TUV/GS, UL

warranty: two years from date of purchase on faulty parts

Iron and board are available to purchase separately.

Care & Maintenance: Clean with a dry, non-abrasive cloth. **DO NOT** use abrasives or solvents.

aslotel smart classic ironing centre



features

- free standing ironing board with black cover
- sunbeam classic iron 15 minute auto shut-off when left in the upright position
- 30 second motion sensor shut-off when left in the horizontal position
- steam/dry iron
- safe storage temperature indicator
- integrated hook for hanging on wardrobe rail
- iron cable anti-theft bracket
- replacement silver or black covers available
- iron cable can be easily looped for tidy storage, avoiding twisting. This will preserve the life of the cable

Iron and board are available to purchase separately.

colour

silver grey legs with black scorch-resistant cover, white iron

product code

E008520 – aslotel freestanding ironing board and smart iron tidy

E008538 – sunbeam white classic iron

E008544 – euro version

technical information

dimensions (mm):

390(w) x 1300(l) x 210(d) closed
opens to height of: 820mm

power cable: 3.50 metres

voltage: 220v/240v

frequency: 50/60hz

power output: 1200w

constuction:

iron – polypropylene body with rust resistant aluminium alloy soleplate
board – steel with powder coating.
iron connector – ABS plastic

approvals: TUV/GS, UL

warranty: two years from date of purchase on faulty parts

Care & Maintenance: Clean with a dry, non-abrasive cloth. **DO NOT** use abrasives or solvents.

aslotel *Sunbeam*
own brand product *HOSPITALITY*

aslotel smart dry ironing centre



features

- free standing ironing board with black cover
- aslotel dry iron 8 minute auto shut-off when left in the upright position
- 30 second motion sensor shut-off when left in the horizontal position
- non-stick sole plate
- integrated hook for hanging on wardrobe rail
- iron cable anti-theft bracket
- replacement silver or black covers available
- iron cable can be easily looped for tidy storage, avoiding twisting. This will preserve the life of the cable

Iron and board are available to purchase separately.

colour

silver grey legs with black scorch-resistant cover, white iron

product code

E008520 – aslotel freestanding ironing board and smart iron tidy

E001001 – aslotel dry iron (uk plug only)

technical information

dimensions (mm):

390(w) x 1300(l) x 200(d) closed
opens to height of: 820mm

power cable: 1.68 metres

voltage: 220v/240v

frequency: 50/60hz

power output: 1100w

constuction:

iron – ABS body with rust resistant aluminium alloy soleplate
board – steel with powder coating.
iron connector – ABS plastic

approvals: LTL/SEMKO

warranty: two years from date of purchase on faulty parts

Care & Maintenance: Clean with a dry, non-abrasive cloth. **DO NOT** use abrasives or solvents.

aslotel
own brand product

aslotel smart ironing board



colour

silver grey legs with black scorch resistant cover

product code

E008520

technical information

dimensions (mm):

390(w) x 1300(l) x 65(d)

opens to a height of 820mm

construction: tubular steel with silver grey powder-coated finish

warranty: one year from date of purchase on faulty parts

features

- durable design
- light-weight
- integrated hook for hanging on wardrobe rail
- universal iron fitting – fits most standard iron sizes
- easy storage
- cover & pad included
- adjustable height lever
- catch stops board from re-opening when stowed
- replacement silver or black covers available

Care & Maintenance: Clean with a dry, non-abrasive cloth. **DO NOT** use abrasives or solvents.

aslotel
own brand product

sunbeam classic iron



features

- steam/dry iron
- 15 minute auto shut-off when left in the upright position
- 30 second motion sensor shut-off when left in the horizontal position
- non-stick rust-resistant soleplate
- self cleaning
- push button for spray mist®
- select dial for full range of steam and fabric settings
- steam adjustment lever
- large easy-view water reservoir
- 360° swivel cord
- designed to use tap water

colour

white body with translucent easy-view water reservoir

product code

E008538

E008544 – euro version

technical information

overall dimensions (mm):

109(w) x 248(l) x 125(d)

power cable: 3.50 metres

voltage: 220v/240v

frequency: 50/60 hz

power output: 1200w

construction: polypropylene body with rust-resistant aluminium alloy soleplate

approvals: TUV/GS, UL

warranty: two years from date of purchase on faulty parts

It is strongly recommended that electrical products are installed by a qualified electrician in accordance with current IEE wiring regulations.

Care & Maintenance: Clean with a dry, non-abrasive cloth. **DO NOT** use abrasives or solvents.

sunbeam steam master pro



features

- steam/dry iron
- ClearView™ led light makes ironing easier in any lighting
- greensense™ iron designed to deliver water savings of up to 45% vs. a standard iron
- motion smart® 3-way auto-off: 30 second motion sensor shut-off when left in the horizontal position or on its side
- 15 minute auto shut-off when left in the upright position
- non-stick soleplate
- 12 foot, 360° swivel cord
- drip-free™ system
- push button for spray mist®
- shot of steam®
- vertical steam
- easy-to-operate fabric/temperature dial
- self-clean
- easy-view water reservoir

colour

white body with blue translucent easy view reservoir

product code

E008539

E008541 – euro version

technical information

overall dimensions (mm):

115(w) x 290(l) x 150(d)

power cable: 3.50 metres

voltage: 220v/240v

frequency: 50/60 hz

power output: 1200w

construction: polypropylene body with rust-resistant aluminium alloy soleplate

approvals: TUV/GS, UL

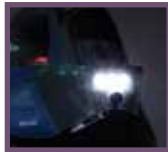
warranty: two years from date of purchase on faulty parts

It is strongly recommended that electrical products are installed by a qualified electrician in accordance with current IEE wiring regulations.

Care & Maintenance: Clean with a dry, non-abrasive cloth. **DO NOT** use abrasives or solvents.



sunbeam black steam master pro



colour

black body with blue translucent easy view reservoir

product code

E008537

E008536 – euro version

features

- steam/dry iron
- ClearView led light makes ironing easier in any lighting
- greensense™ iron designed to deliver water savings of up to 45% vs. a standard iron
- motion smart® 3-way auto-off: 30 second motion sensor shut-off when left in the horizontal position or on its side
- 15 minute auto shut-off when left in the upright position
- non-stick soleplate
- 12 foot, 360° swivel cord
- drip-free™ system
- push button for spray mist®
- shot of steam®
- vertical steam
- easy-to-operate fabric/temperature dial
- self-clean
- easy-view water reservoir

technical information

overall dimensions (mm):

115(w) x 290(l) x 150(d)

power cable: 3.50 metres

voltage: 220v/240v

frequency: 50/60 hz

power output: 1200w

construction: polypropylene body with rust-resistant aluminium alloy soleplate

approvals: TUV/GS, UL

warranty: two years from date of purchase on faulty parts

It is strongly recommended that electrical products are installed by a qualified electrician in accordance with current IEE wiring regulations.

Care & Maintenance: Clean with a dry, non-abrasive cloth. **DO NOT** use abrasives or solvents.



aslotel dry iron



features

- dry iron only
- 8 minute auto shut-off when left in the upright position
- 30 second motion sensor shut-off when left in the horizontal position
- temperature dial for a range of fabric types
- neon indicator light for temperature
- non-stick sole plate
- motion sensor
- 360° swivel cord

colour

white

product code

E001001 – (uk plug only)

technical information

dimensions (mm):

105(w) x 250(l) x 125(d)

power cable: 1.68 metres

voltage: 220v/240v

frequency: 50/60hz

output: 1100w

approvals: LTL/SEMKO

construction: ABS

warranty: one year from date of purchase on faulty parts

Care & Maintenance: Clean with a dry, non-abrasive cloth. **DO NOT** use abrasives or solvents.

ironing board covers



features

- E008503 and E008508 – laminated foam backing and heat reflective surface speeds up the ironing process
- E008500, E008502, E008503 and E008508 have easy tie drawstring fastening and fix clip to eliminate movement of the cover during ironing,
- E008498 and E008499 are both elasticated with a hole to allow easy fitting to aslotel ironing centres

Care & Maintenance: Clean with a dry, non-abrasive cloth. **DO NOT** use abrasives or solvents

colour

silver or black

product code

E008500 – aslotel metallised cotton ironing board cover, black

E008502 – aslotel metallised cotton ironing board cover, silver

E008503 and **E008508** – aslotel metallised cotton ironing board cover with foam, silver

E008498 – aslotel metallised cotton ironing centre board cover, silver

E008499 – aslotel metallised cotton ironing centre board cover, black

technical information

dimensions (mm):

| | |
|----------------|------------------|
| E008500 | 1200(l) x 445(w) |
| E008502 | 1200(l) x 445(w) |
| E008503 | 1245(l) x 435(w) |
| E008508 | 1340(l) x 500(w) |
| E008498 | 1205(l) x 500(w) |
| E008499 | 1205(l) x 500(w) |

construction:

E008500 – cotton cover in black with drawstring

E008502 – cotton cover in silver with drawstring

E008503 & **E008508** – heat reflective cotton / 2mm laminated foam and drawstring

E008498 – elasticated cotton cover in silver

E008499 – elasticated cotton cover in black

warranty: one year from date of purchase on faulty parts

sunbeam iron tidy



features

- wall mounted iron tidy
- universal design to hold most irons
- provides neat storage for iron, cable and board
- heat resistant plastic with silicone buttons
- removable board hook

colour

white
black

product code

E003963 – white

E003964 – black

technical information

dimensions (mm):

150(w) x 445(h) x 190(d)

total hanging space with aslotel premier ironing board E008523 - 168cm

construction: heat resistant plastic

warranty: one year from date of purchase on faulty parts

Care & Maintenance: Clean with a dry, non-abrasive cloth. **DO NOT** use abrasives or solvents.

sunbeam ironing board wall bracket



colour

white

product code

E039633

technical information

dimensions (mm):

160(w) x 160(l) x 75(d)

construction: PBT (polybutylene terephthalate)

warranty: one year from date of purchase on faulty parts

features

- wall mounted ironing board bracket
- designed to accept most ironing boards
- provides neat storage

Care & Maintenance: Clean with a dry, non-abrasive cloth. **DO NOT** use abrasives or solvents.

aslotel classic cordless jug kettle



colour

black
brilliant white

product code

E005059 – black
E005060 – brilliant white
E005061 – brilliant white euro version

technical information

dimensions (mm):

220(w) x 240(h) x 130(d)

capacity: 1 litre/1.8pt

power cable: 0.68 metres

voltage: 220v/240v

frequency: 50/60hz

output: 850w

construction: ABS

approval: TUV/GS

warranty: one year from date of purchase on faulty parts

features

- 1 litre/1.8pt cordless jug kettle
- hinged lid
- illuminated power indicator switch
- safety lid-opening button
- water level indicator
- power base with cable storage compartment

Care & Maintenance: Clean with a dry, non-abrasive cloth. **DO NOT** use abrasives or solvents.

aslotel
own brand product

aslotel premier cordless jug kettle



features

- 1 litre/1.8pt cordless jug kettle
- quick boil system
- safety locking lid
- power indicator light
- water level indicator
- 360° power base with cable storage compartment
- concealed stainless steel element

colour

brushed chrome and black

product code

E005454

E005455 – euro version

technical information

dimensions (mm):

200(w) x 200(l) x 170(d)

spout to handle: 200

base diameter: 165

power cable: 0.68 metres

capacity: 1 litre/1.8pt

voltage: 220v/240v

frequency: 50/60hz

output: 1850-2200w

construction: stainless steel/ABS
GP22

approvals: TUV/GS

warranty: one year from date of
purchase on faulty parts

Care & Maintenance: Clean with a dry, non-abrasive cloth. **DO NOT** use abrasives or solvents.

aslotel premier cordless jug kettle



features

- 1 litre/1.8pt cordless jug kettle
- quick boil system
- safety locking lid
- power indicator light
- water level indicator
- 360° power base with cable storage compartment
- concealed stainless steel element

colour

polished chrome and black

product code

E005447

E005449 – euro version

technical information

dimensions (mm):

200(w) x 200(l) x 170(d)

spout to handle: 200

base diameter: 165

power cable: 0.68 metres

capacity: 1 litre/1.8pt

voltage: 220v/240v

frequency: 50/60hz

output: 1850-2200w

construction: stainless steel/ABS
GP22

approvals: TUV/GS

warranty: one year from date of
purchase on faulty parts

Care & Maintenance: Clean with a dry, non-abrasive cloth. **DO NOT** use abrasives or solvents.

aslotel

relationship • experience • choice

aslotel premier cordless jug kettle



features

- 1 litre/1.8pt cordless jug kettle
- quick boil system
- safety locking lid
- power indicator light
- water level indicator
- 360° power base with cable storage compartment
- concealed stainless steel element

colour

brilliant white

product code

E005500

E005501 – euro version

technical information

dimensions (mm):

215(w) x 200(l) x 170(d)

spout to handle: 190

base diameter: 165

power cable: 0.68 metres

capacity: 1 litre/1.8pt

voltage: 220v/240v

frequency: 50/60hz

output: 1850-2200w

construction: stainless steel/ABS
GP22

approvals: TUV/GS

warranty: one year from date of
purchase on faulty parts

Care & Maintenance: Clean with a dry, non-abrasive cloth. **DO NOT** use abrasives or solvents.

aslotel

own brand product

aslotel beverage tray set



features

- set of 3 trays – main base tray, crockery tray & sachet container
- durable & easy to clean
- available in 2 colours
- gel feet – prevent movement and help protect furniture
- attractive design – laser cut look
- sachet container – attractive original design
- plastic material resistant to marking by fingerprints
- accepts many styles of boiling jug

colour

matt black or brilliant white

product code

E005080 – matt black

E005090 – brilliant white

technical information

dimensions (mm):

beverage tray:

380(w) x 25(h) x 330(d)

sachet container:

147(w) x 55(h) x 180(d)

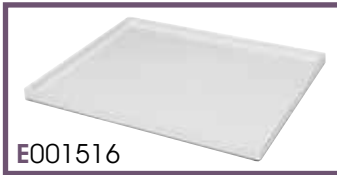
crockery tray:

138(w) x 10(h) x 352(d)

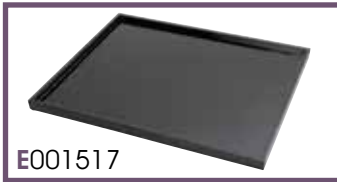
construction: fire resistant ABS

warranty: one year from date of purchase

Care & Maintenance: Clean with a dry, non-abrasive cloth. **DO NOT** use abrasives or solvents.



E001516



E001517



E001513



E001512

features

- high gloss finish
- other colours available on special order
- easy clean
- accepts many styles of boiling jug
- sachet container holds various sizes of sachets, sticks and milk pods

Care & Maintenance: Clean with a dry, non-abrasive cloth. **DO NOT** use abrasives or solvents.

aslotel high gloss hospitality trays

colour

high gloss black
high gloss brilliant white

product code

E001516 – white beverage tray
E001517 – black beverage tray
E001513 – white sachet container
E001512 – black sachet container

technical information

dimensions (mm):

beverage tray:

330(w) x 15(h) x 260(d)

sachet container:

90(w) x 40(h) x 140(d)

construction: mdf and lacquer

warranty: one year from date of purchase



aslotel high gloss deluxe hospitality tray



features

- high gloss finish
- handles for easy carrying
- other colours available on special order
- easy clean
- accepts many styles of boiling jug
- sachet container holds various sizes of sachets, sticks and milk pods

Care & Maintenance: Clean with a dry, non-abrasive cloth. **DO NOT** use abrasives or solvents.

colour

high gloss black

product code

E001515 – beverage tray

E001514 – sachet container

technical information

dimensions (mm):

beverage tray:

400(w) x 50(h) x 350(d)

sachet container:

160(w) x 62(h) x 200(d)

construction: mdf and lacquer

warranty: one year from date of purchase



aslotel high gloss deluxe hospitality tray



colour

high gloss white

product code

E001520 – beverage tray

E001521 – sachet container



technical information

dimensions (mm):

beverage tray:

400(w) x 50(h) x 350(d)

sachet container:

160(w) x 62(h) x 200(d)

construction: mdf and lacquer

warranty: one year from date of purchase

features

- high gloss finish
- handles for easy carrying
- other colours available on special order
- easy clean
- accepts many styles of boiling jug
- sachet container holds various sizes of sachets, sticks and milk pods

Care & Maintenance: Clean with a dry, non-abrasive cloth. **DO NOT** use abrasives or solvents.

aslotel deluxe wooden tray



colour

dark wood

product code

E005062

technical information

dimensions (mm):

400(w) x 50(h) x 350(d)

construction: mixed fibre board
(derived from pine, resin &
recovered wood chippings)

warranty: one year from date of
purchase

features

- wooden rectangular tray
- compatible with various jug kettles
- felt lined base protects furniture
- luxury natural wood grain effect
- made from sustainable materials

Care & Maintenance: Clean with a dry, non-abrasive cloth. **DO NOT** use abrasives or solvents.

aslotel high gloss rose design deluxe hospitality tray



colour

black/silver

product code

E001522 – beverage tray

technical information

dimensions (mm):

beverage tray:

400(w) x 50(h) x 350(d)

sachet container:

160(w) x 62(h) x 200(d)

construction: mdf and lacquer

warranty: one year from date of purchase

features

- high gloss finish
- handles for easy carrying
- other colours available on special order
- easy clean
- accepts many styles of boiling jug

Care & Maintenance: Clean with a dry, non-abrasive cloth. **DO NOT** use abrasives or solvents.

aslotel wooden luggage stands



E006001



E006085

features

- polished wooden luggage stands – mahogany or dark wood
- three black webbing straps
- brass inlay

colour

mahogany or dark wood finish

product code

E006001 – mahogany

E006085 – dark wood

technical information

dimensions (mm):

660(w) x 485(h) x 405(d) open

660(w) x 600(h) x 90(d) closed

construction: oak wood

warranty: one year from date of purchase on faulty parts

Care & Maintenance: Clean with a dry, non-abrasive cloth. **DO NOT** use abrasives or solvents.

aslotel metal luggage stands



colour

chrome finish

product code

E006263 – chrome without back

E006063 – chrome with back

technical information

dimensions without back (mm):

640(w) x 510(h) x 400(d) open

640(w) x 640(h) x 85(d) closed

dimensions with back (mm):

625(w) x 675(h) x 490(d) open

625(w) x 810(h) x 115(d) closed

construction: stainless steel tube

warranty: one year from date of purchase on faulty parts



features

- polished chrome luggage stand with back
- chrome stand available without back
- black webbing straps

Care & Maintenance: Clean with a dry, non-abrasive cloth. **DO NOT** use abrasives or solvents.

aslotel cosmetic/shaving bathroom mirror



colour

chrome

product code

E002303

technical information

dimensions (mm):

200(dia) with 240(l) extension & tilt

construction: steel/chrome

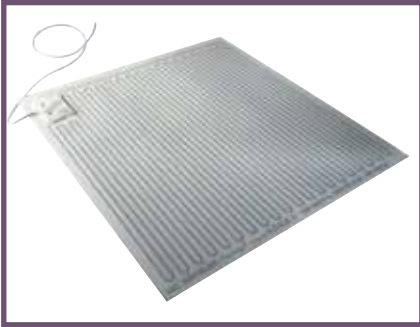
warranty: one year from date of purchase on faulty parts

Care & Maintenance: Clean with a dry, non-abrasive cloth. **DO NOT** use abrasives or solvents.

features

- wall mounted reversible cosmetic/shaving mirror on single extending, height-adjustable arm, 180° arc
- fitted with 3x magnification glass
- fully reversible with regular mirror on back

aslotel antimist mirror pads



features

- a permanent solution to the problem of steamed-up bathroom mirrors
- maintenance free, economical & safe
- easy to install adhesive pads – fits behind any wall-mounted flat mirror
- can be wired into an existing light fitting or separate electrical supply

product code

E009031 – 400mm x 500mm

E009032 – 550mm x 800mm

E009033 – 600mm x 1100mm

technical information

dimensions (mm):

pad – as shown above,
less than 1mm thick

connector 72(w) x 56(l) x 6(d)

power cable: 1.90 metres

voltage: 220v/240v

output: **E009031** – 55w

E009032 – 78w

E009033 – 128w

construction: self adhesive acrylic resin (no risk to silvering of mirrors)

approvals: LCIE

warranty: one year from date of purchase on faulty parts

Care & Maintenance: Clean with a dry, non-abrasive cloth. **DO NOT** use abrasives or solvents.